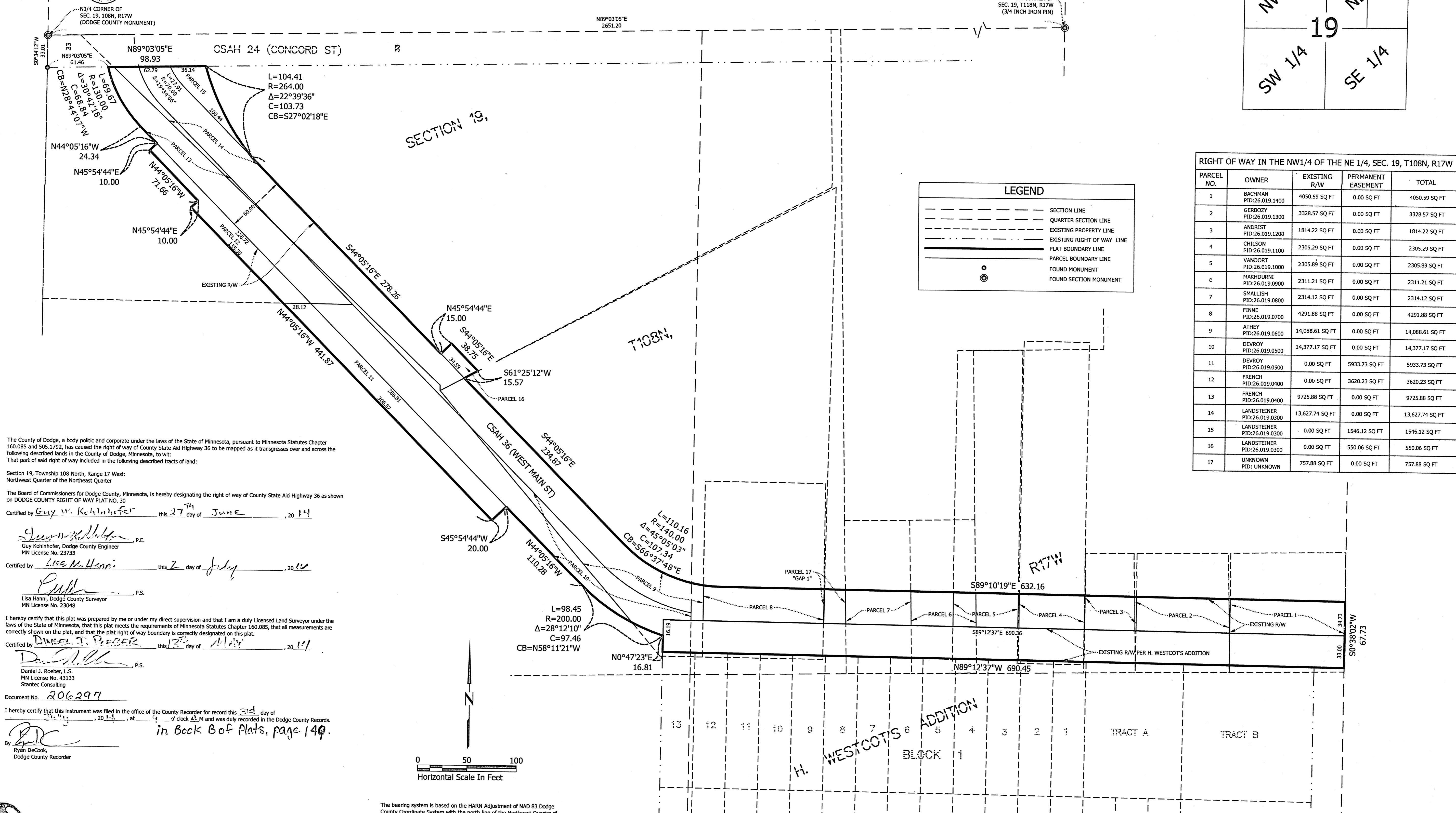
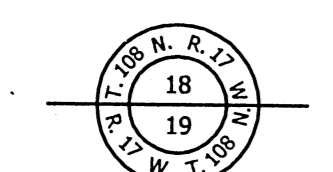
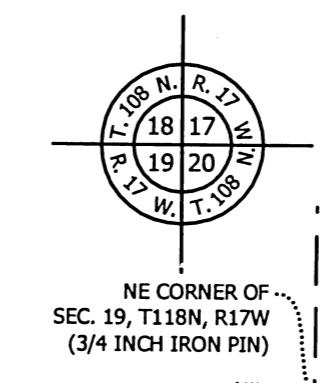
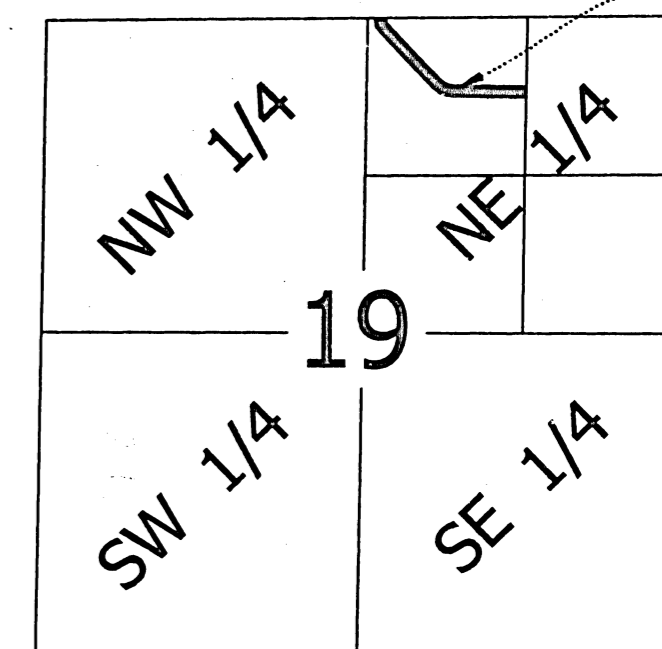


DODGE COUNTY RIGHT OF WAY PLAT NO. 30

CSAH NO. 36 (WEST MAIN ST)

VICINITY MAP
Section 19, T. 108 N., R. 17 W.
NOT TO SCALE



LEGEND	
---	SECTION LINE
- - - -	QUARTER SECTION LINE
---	EXISTING PROPERTY LINE
---	EXISTING RIGHT OF WAY LINE
---	PLAT BOUNDARY LINE
---	PARCEL BOUNDARY LINE
○	FOUND MONUMENT
⊙	FOUND SECTION MONUMENT

RIGHT OF WAY IN THE NW 1/4 OF THE NE 1/4, SEC. 19, T108N, R17W				
PARCEL NO.	OWNER	EXISTING R/W	PERMANENT EASEMENT	TOTAL
1	BACHMAN PID:26.019.1400	4050.59 SQ FT	0.00 SQ FT	4050.59 SQ FT
2	GERBOZY PID:26.019.1300	3328.57 SQ FT	0.00 SQ FT	3328.57 SQ FT
3	ANDRIST PID:26.019.1200	1814.22 SQ FT	0.00 SQ FT	1814.22 SQ FT
4	CHILSON PID:26.019.1100	2305.29 SQ FT	0.00 SQ FT	2305.29 SQ FT
5	VANDORT PID:26.019.1000	2305.89 SQ FT	0.00 SQ FT	2305.89 SQ FT
6	MAKHJURNI PID:26.019.0900	2311.21 SQ FT	0.00 SQ FT	2311.21 SQ FT
7	SMALLISH PID:26.019.0800	2314.12 SQ FT	0.00 SQ FT	2314.12 SQ FT
8	FINNE PID:26.019.0700	4291.88 SQ FT	0.00 SQ FT	4291.88 SQ FT
9	ATHEY PID:26.019.0600	14,088.61 SQ FT	0.00 SQ FT	14,088.61 SQ FT
10	DEVROY PID:26.019.0500	14,377.17 SQ FT	0.00 SQ FT	14,377.17 SQ FT
11	DEVROY PID:26.019.0500	0.00 SQ FT	5933.73 SQ FT	5933.73 SQ FT
12	FRENCH PID:26.019.0400	0.00 SQ FT	3620.23 SQ FT	3620.23 SQ FT
13	FRENCH PID:26.019.0400	9725.88 SQ FT	0.00 SQ FT	9725.88 SQ FT
14	LANDSTEINER PID:26.019.0300	13,627.74 SQ FT	0.00 SQ FT	13,627.74 SQ FT
15	LANDSTEINER PID:26.019.0300	0.00 SQ FT	1546.12 SQ FT	1546.12 SQ FT
16	LANDSTEINER PID:26.019.0300	0.00 SQ FT	550.06 SQ FT	550.06 SQ FT
17	UNKNOWN PID: UNKNOWN	757.88 SQ FT	0.00 SQ FT	757.88 SQ FT

The County of Dodge, a body politic and corporate under the laws of the State of Minnesota, pursuant to Minnesota Statutes Chapter 160.085 and 505.1792, has caused the right of way of County State Aid Highway 36 to be mapped as it transgresses over and across the following described lands in the County of Dodge, Minnesota, to wit:
That part of said right of way included in the following described tracts of land:

Section 19, Township 108 North, Range 17 West:
Northwest Quarter of the Northeast Quarter

The Board of Commissioners for Dodge County, Minnesota, is hereby designating the right of way of County State Aid Highway 36 as shown on DODGE COUNTY RIGHT OF WAY PLAT NO. 30

Certified by Guy W. Kohlhofer this 27th day of June, 2014

Guy W. Kohlhofer P.E.
Guy Kohlhofer, Dodge County Engineer
MN License No. 23733

Certified by Lisa M. Hanni this 2 day of July, 2014

Lisa M. Hanni P.S.
Lisa Hanni, Dodge County Surveyor
MN License No. 23048

I hereby certify that this plat was prepared by me or under my direct supervision and that I am a duly Licensed Land Surveyor under the laws of the State of Minnesota, that this plat meets the requirements of Minnesota Statutes Chapter 160.085, that all measurements are correctly shown on the plat, and that the plat right of way boundary is correctly designated on this plat.

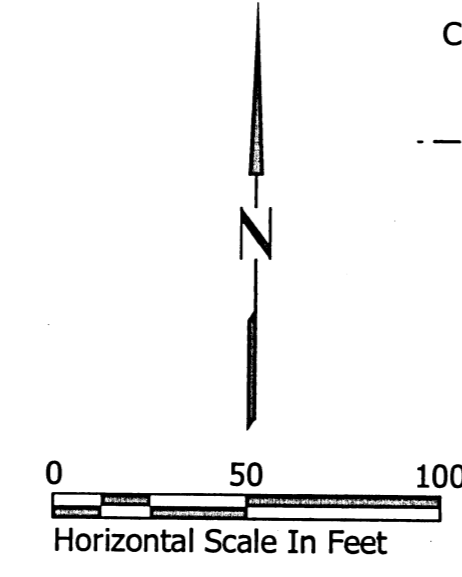
Certified by Daniel J. Roebler this 13th day of May, 2014

Daniel J. Roebler P.S.
Daniel J. Roebler, L.S.
MN License No. 43133
Stantec Consulting

Document No. 206297

I hereby certify that this instrument was filed in the office of the County Recorder for record this 21st day of July, 2014, at 9 o'clock A.M. and was duly recorded in the Dodge County Records in Book B of Plats, page 149.

By Ryan DeCook
Dodge County Recorder



The bearing system is based on the HARN Adjustment of NAD 83 Dodge County Coordinate System with the north line of the Northeast Quarter of Section 9, Township 108 North, Range 17 West bearing North 89 degrees 03 minutes 05 seconds East and all bearings are referenced clockwise.

This plat is subject to easements of record if any.

Monuments will be set at all angle points after construction is complete.

