

# MINNESOTA DEPARTMENT OF TRANSPORTATION RIGHT OF WAY PLAT NO. 25-79

CONTROL SECTION NO. 2506 (52=20) 903  
IN GOVERNMENT LOTS 1, 2, 5 AND 6 OF SECTION 31, T. 112 N., R. 17 W.,  
GOODHUE COUNTY, MINNESOTA

THE COMMISSIONER OF TRANSPORTATION IS HEREBY DESIGNATING THE DEFINITE  
LOCATION OF TRUNK HIGHWAY NO. 52 FROM COUNTY STATE AID HIGHWAY NO. 24 TO 2.0 MILES SOUTH

as shown on this plat prepared by the State of Minnesota Department of Transportation is hereby certified as  
the official plat of that portion of said T.H. 52 within the designated portion of Section 31  
and the Commissioner's Order therefor, pursuant to Minnesota Statutes, Section 160.085, Section  
160.14 subd. 1, Section 161.16 subd. 2, and Section 161.18.

It is further ordered that it is necessary to acquire all trees, shrubs, grass and herbage within the  
right of way of said Trunk Highway, and to keep and have the exclusive control of the same.

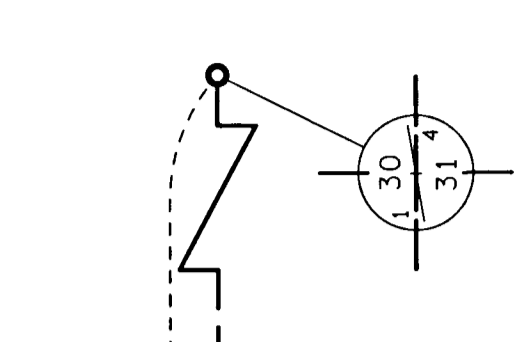
Commissioner's Order No. 93395 Location PLAT 25-79 Nature of Interest Definite location, width,  
access and temporary easement.

Certified by: *Bernard J. Arseneau*  
Bernard J. Arseneau, PE, PTOE  
Acting Commissioner of Transportation  
Date: 12/11/12  
by: *Aryeh J. Dodds*  
Aryeh J. Dodds  
Director, Office of Land Management

I hereby certify that this plat was surveyed and prepared by me or under my direct supervision  
and that I am a duly Licensed Land Surveyor under the Laws of the State of Minnesota; that all  
measurements are correctly shown on this plat; that all monuments have been correctly placed  
as shown on this plat; that Certificates of Location for the monumented Public Land Survey  
corners as shown on this plat are on file in the County Recorder's Office (if required under  
Minnesota Statutes, Section 160.15) and/or the County Surveyor's Office; that this plat meets  
the requirements of Minnesota Statutes, Section 160.085, Section 160.14 subd. 1, Section 161.16  
subd. 2, and Section 161.18; that the parcel ownerships are correctly described and delineated  
on the plat; and that the proposed right of way boundary lines are correctly designated on the plat.

Certified by: *Keith M. Kallin* 23946 12-12-12  
Keith M. Kallin License No. Date  
MnDOT District Office

GOODHUE COUNTY COORDINATES  
X=560619.040  
Y=200777.636  
NAD 83(1996 ADJ.)



CAST IRON MONUMENT AT QUARTER CORNER

GOV'T LOT 1

GOV'T LOT 2

GOV'T LOT 5

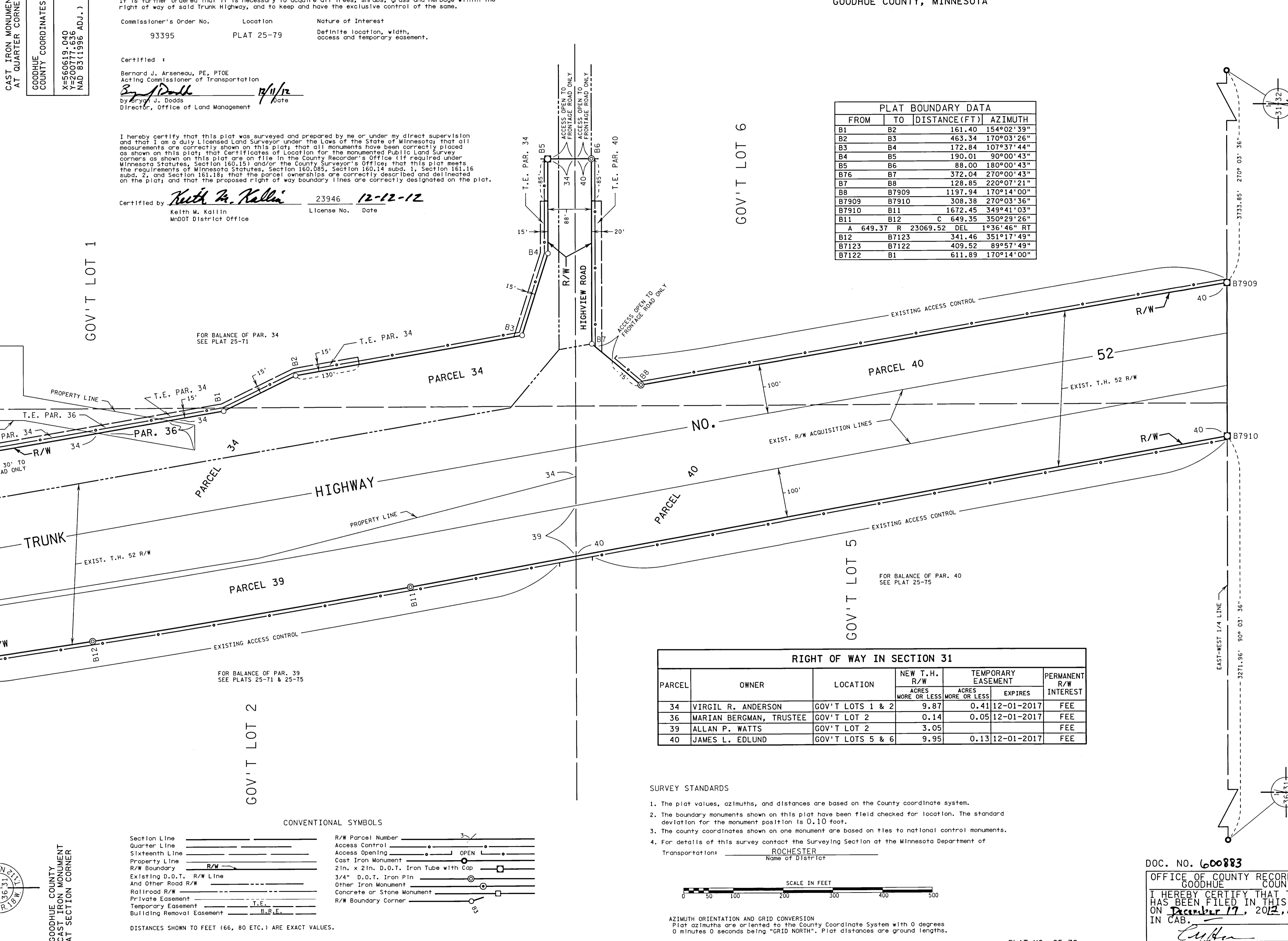
GOV'T LOT 6

GOODHUE COUNTY CAST IRON MONUMENT AT SECTION CORNER

GOODHUE COUNTY CAST IRON MONUMENT AT QUARTER CORNER

GOODHUE COUNTY CAST IRON MONUMENT AT QUARTER CORNER

GOODHUE COUNTY CAST IRON MONUMENT AT QUARTER CORNER



PLAT BOUNDARY DATA

FROM	TO	DISTANCE (FT)	AZIMUTH
B1	B2	161.40	154°02'39"
B2	B3	463.34	170°03'26"
B3	B4	172.84	107°37'44"
B4	B5	190.01	90°00'43"
B5	B6	88.00	180°00'43"
B76	B7	372.04	270°00'43"
B7	B8	128.85	220°07'21"
B8	B7909	1197.94	170°14'00"
B7909	B7910	308.38	270°03'36"
B7910	B11	1672.45	349°41'03"
B11	B12	C 649.35	350°29'26"
A	649.37	R 23069.52	DEL 1°36'46" RT
B12	B7123	341.46	351°17'49"
B7123	B7122	409.52	89°57'49"
B7122	B1	611.89	170°14'00"

RIGHT OF WAY IN SECTION 31

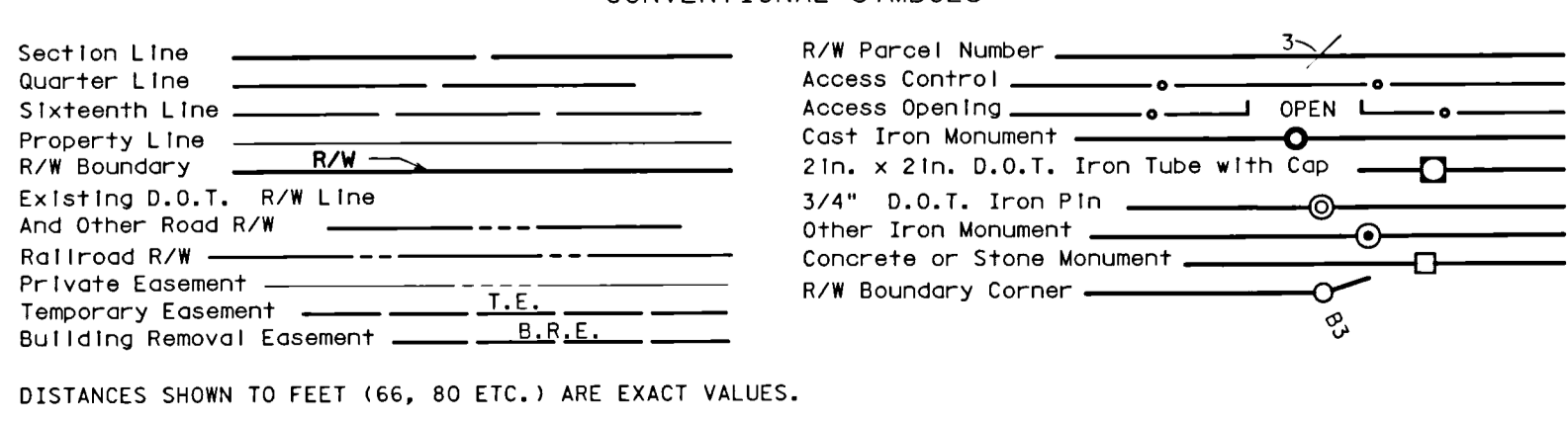
PARCEL	OWNER	LOCATION	NEW T.H. R/W		TEMPORARY EASEMENT		PERMANENT R/W INTEREST
			ACRES MORE OR LESS	ACRES MORE OR LESS	EXPIRES		
34	VIRGIL R. ANDERSON	GOV'T LOTS 1 & 2	9.87	0.41	12-01-2017	FEE	
36	MARIAN BERGMAN, TRUSTEE	GOV'T LOT 2	0.14	0.05	12-01-2017	FEE	
39	ALLAN P. WATTS	GOV'T LOT 2	3.05			FEE	
40	JAMES L. EDLUND	GOV'T LOTS 5 & 6	9.95	0.13	12-01-2017	FEE	

SURVEY STANDARDS

- The plat values, azimuths, and distances are based on the County coordinate system.
- The boundary monuments shown on this plat have been field checked for location. The standard deviation for the monument position is 0.10 foot.
- The county coordinates shown on one monument are based on ties to national control monuments.
- For details of this survey contact the Surveying Section at the Minnesota Department of Transportation: ROCHESTER Name of District



AZIMUTH ORIENTATION AND GRID CONVERSION  
Plat azimuths are oriented to the County Coordinate System with 0 degrees 0 minutes 0 seconds being "GRID NORTH". Plat distances are ground lengths.



DISTANCES SHOWN TO FEET (66, 80 ETC.) ARE EXACT VALUES.

DOC. NO. 600883  
OFFICE OF COUNTY RECORDER  
GOODHUE COUNTY, MINN  
I HEREBY CERTIFY THAT THIS PLAT  
HAS BEEN FILED IN THIS OFFICE  
ON December 17, 2012, AT 8:17 AM  
IN CAB. NO. *Cuba*  
COUNTY RECORDER

PLAT NO. 25-79  
C.S. 2506 (52=20) 903