

MINNESOTA DEPARTMENT OF TRANSPORTATION RIGHT OF WAY PLAT NO. 25-82

CONTROL SECTION NO. 2506 (52=20) 901
IN THE SOUTH HALF OF THE SOUTHWEST QUARTER OF SECTION 25, T. 110 N., R. 16 W.,
IN THE NORTHEAST QUARTER OF THE NORTHWEST QUARTER OF SECTION 36, T. 110 N., R. 16 W.,
GOODHUE COUNTY, MINNESOTA

THE COMMISSIONER OF TRANSPORTATION IS HEREBY DESIGNATING THE DEFINITE LOCATION OF TRUNK HIGHWAY NO. 52 FROM 0.5 MILE NORTH OF COUNTY STATE AID HIGHWAY NO. 68 TO 0.5 MILE SOUTH OF COUNTY STATE AID HIGHWAY NO. 68

as shown on this plat prepared by the State of Minnesota Department of Transportation is hereby certified as the official plat of that portion of said T.H. 52 within the designated portion of Sections 25 & 36 and the Commissioner's Order therefor, pursuant to Minnesota Statutes, Section 160.085, Section 160.14 subd. 1, Section 161.16 subd. 2, and Section 161.18.

It is further ordered that the Commissioner of Transportation's Orders covering the existing right of way, outside of the plat boundary, shall remain in full force and effect until such time the existing right of way orders are rescinded.

It is further ordered that it is necessary to acquire all trees, shrubs, grass and herbage within the right of way of said Trunk Highway, and to keep and have the exclusive control of the same.

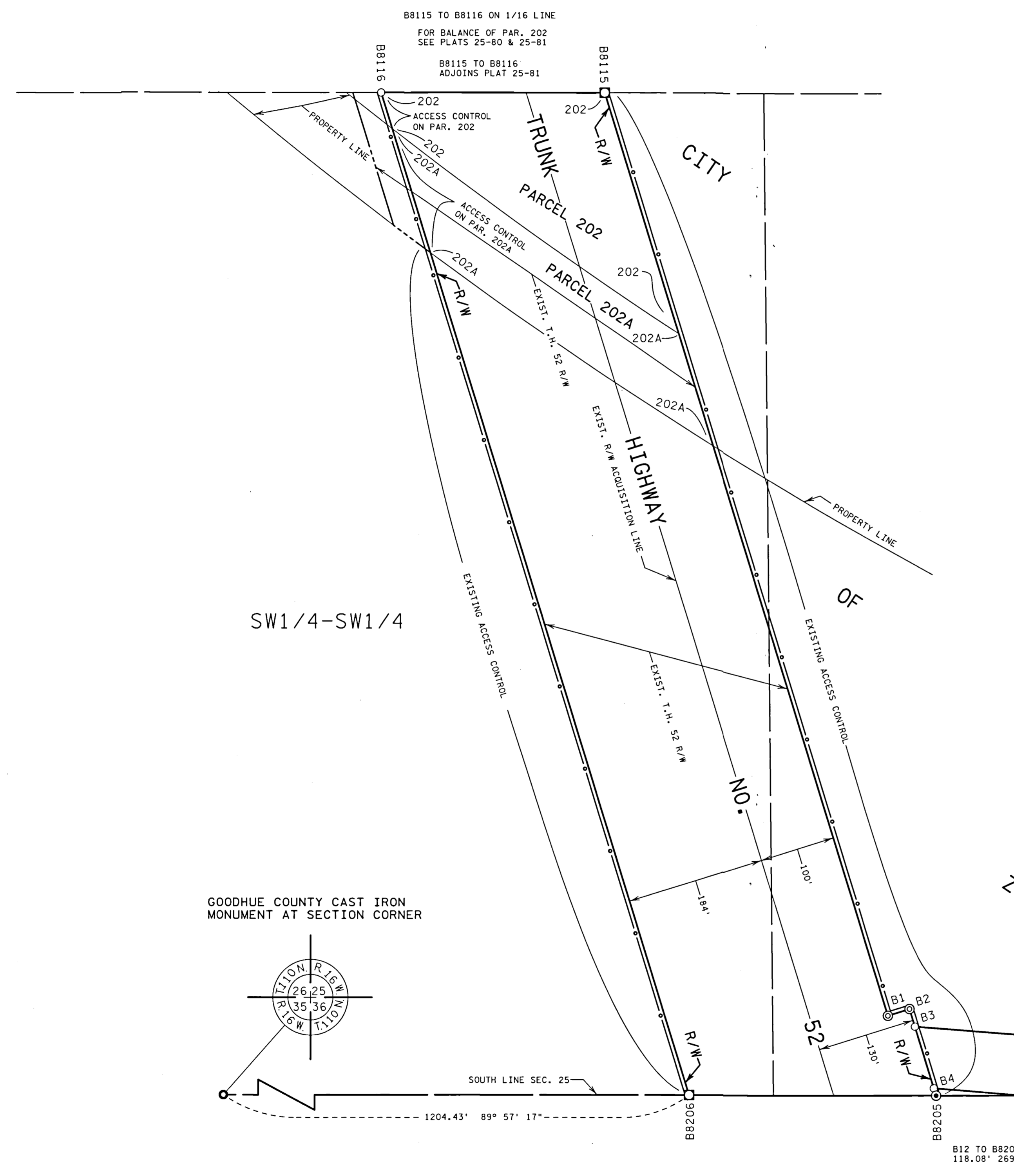
Commissioner's Order No.	Location	Nature of Interest
93965	PLAT 25-82	Definite location, width, access and offtake ditch easement.

Certified by:
Charles A. Zelle
Commissioner of Transportation
Charles A. Zelle
by Bryan A. Dodds 10/15/13
Director, Office of Land Management Date

I hereby certify that this plat was surveyed and prepared by me or under my direct supervision and that I am a duly Licensed Land Surveyor under the Laws of the State of Minnesota; that all measurements are correctly shown on this plat; that all monuments have been correctly placed as shown on this plat; that Certificates of Location for the monumented Public Land Survey corners as shown on this plat are on file in the County Recorder's Office (if required under Minnesota Statutes, Section 160.15) and/or the County Surveyor's Office; that this plat meets the requirements of Minnesota Statutes, Section 160.085, Section 160.14 subd. 1, Section 161.16 subd. 2, and Section 161.18; that the parcel ownerships are correctly described and delineated on the plat; and that the proposed right of way boundary lines are correctly designated on the plat.

Certified by *Jordan B. Kurth* 48717 10/17/2013
Jordan B. Kurth License No. Date
MnDOT District Office

PARCEL	OWNER	LOCATION	NEW T.H. R/W		TEMPORARY EASEMENT		PERMANENT R/W INTEREST
			ACRES MORE OR LESS	ACRES MORE OR LESS	ACRES MORE OR LESS	EXPIRES	
202	MERSETH ESTATE FARMS, INC.	SW1/4-SW1/4	1.28				FEE
202A	LOMEN PROPERTIES	SW1/4-SW1/4	1.06				FEE



SE1/4-SW1/4

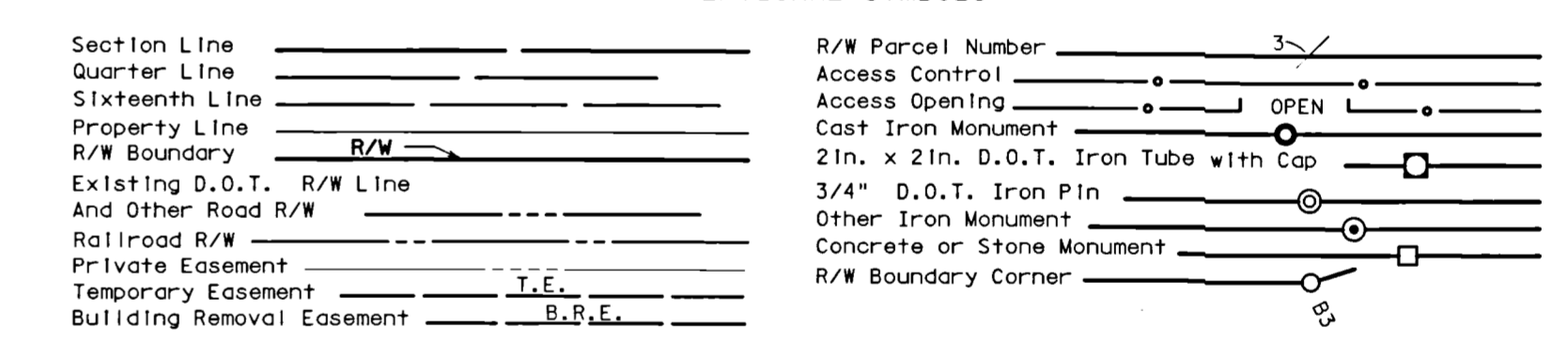
FROM	TO	DISTANCE (FT)	AZIMUTH
B1	B2	30.00	72°39'22"
B2	B3	24.38	162°39'22"
B3	B4	85.13	162°39'22"
B4	B8205	10.17	162°39'22"
B8205	B8206	328.88	269°57'17"
B8206	B8116	1383.67	342°39'22"
B8116	B8115	297.53	90°00'04"
B8115	B1	1273.08	162°39'22"

FROM	TO	DISTANCE (FT)	AZIMUTH
B3	B7	637.40	94°27'15"
B7	B8	403.11	85°31'52"
B8	B9	70.00	182°39'22"
B9	B10	21.30	264°07'31"
B10	B11	383.18	264°07'31"
B11	B12	486.81	274°32'25"
B12	B4	121.49	274°32'25"

SURVEY STANDARDS

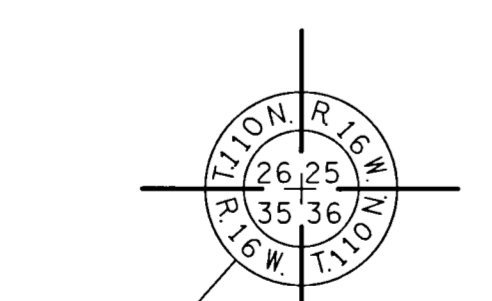
- The plat values, azimuths, and distances are based on the County coordinate system.
- The boundary monuments shown on this plat have been field checked for location. The standard deviation for the monument position is 0.10 feet.
- The county coordinates shown on one monument are based on ties to national control monuments.
- For details of this survey contact the Surveying Section at the Minnesota Department of Transportation: ROCHESTER
Name of District

CONVENTIONAL SYMBOLS

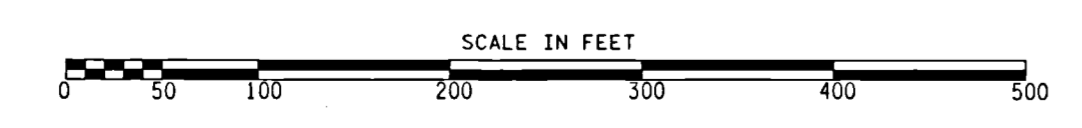
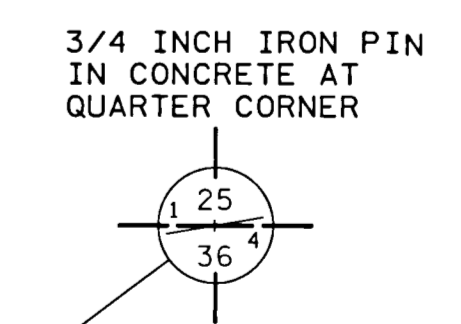


DISTANCES SHOWN TO FEET (66, 80 ETC.) ARE EXACT VALUES.

GOODHUE COUNTY CAST IRON MONUMENT AT SECTION CORNER



X=618409.585
Y=137523.434
NAD 83(1996 ADJ.)



AZIMUTH ORIENTATION AND GRID CONVERSION
Plat azimuths are oriented to the County Coordinate System with 0 degrees 0 minutes 0 seconds being "GRID NORTH". Plat distances are ground lengths.

NE1/4-NW1/4

PLAT NO. 25-82
C.S. 2506 (52=20) 901

DOC. NO.
OFFICE OF COUNTY RECORDER
GOODHUE COUNTY, MINN
I HEREBY CERTIFY THAT THIS PLAT
HAS BEEN FILED IN THIS OFFICE
ON Oct 24, 2013, AT 9:15 AM
IN CAB. MN 25-82 NO. 69870
Charles A. Zelle
COUNTY RECORDER