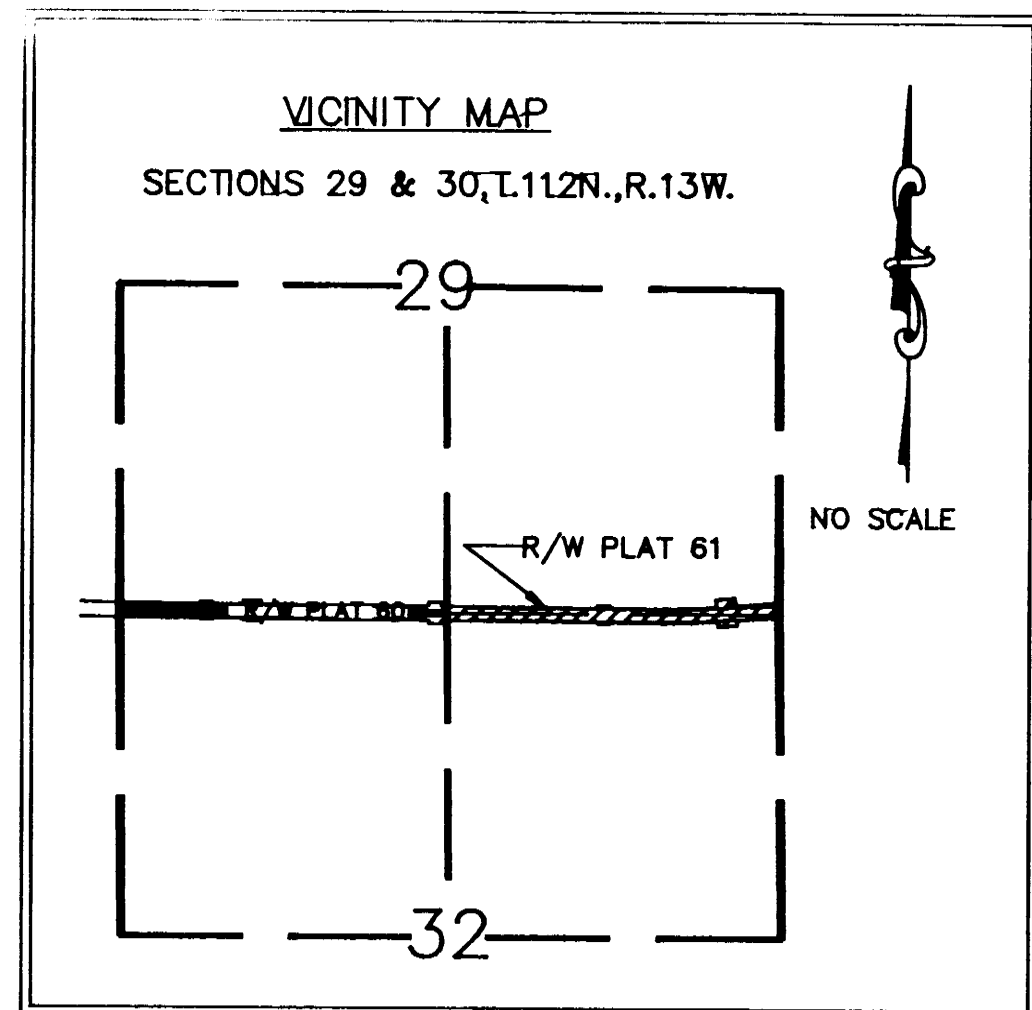
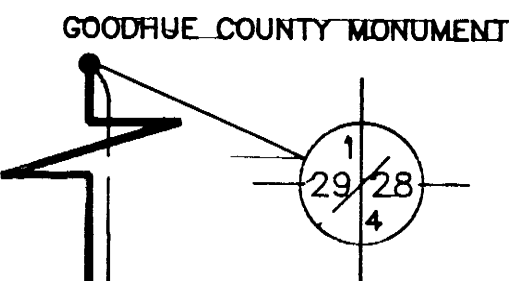


GOODHUE COUNTY RIGHT OF WAY PLAT NO. 61

COUNTY ROAD NO. 5

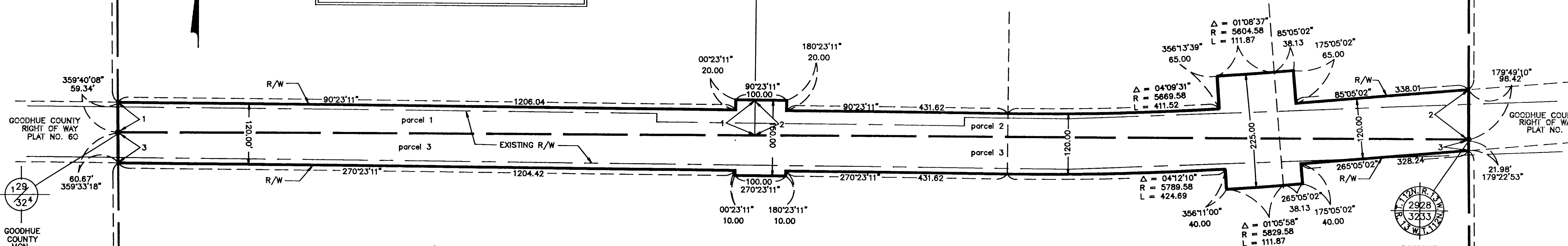


AZIMUTH-ORIENTATION

This azimuth system is based on the N.A.D. 83 State Plane Coordinate System through the Goodhue County Coordinate System with North being 0 degrees 00 minutes 00 seconds and all azimuths referenced clockwise from North.

THE GOODHUE COUNTY BOARD OF COMMISSIONERS IS HEREBY DESIGNATING THE DEFINITE LOCATION OF COUNTY ROAD NO. 5 BETWEEN THE WEST LINE OF THE SOUTHEAST QUARTER OF SECTION 29, T.112N., R.13W. AND THE EAST LINE OF SAID SOUTHEAST QUARTER.

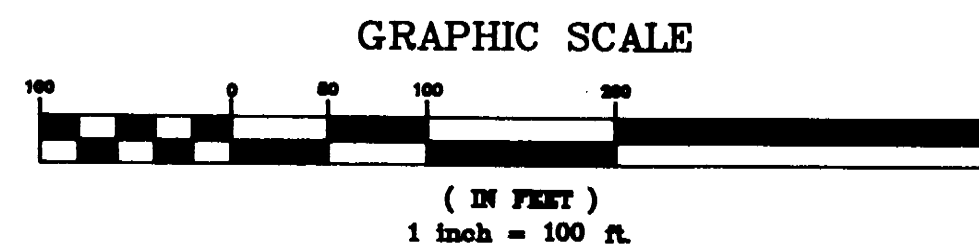
PORTION OF SAID HIGHWAY AS SHOWN ON THIS PLAT JOINTLY PREPARED BY THE COUNTY HIGHWAY DEPARTMENT AND THE COUNTY SURVEYOR OF GOODHUE COUNTY, IS HEREBY CERTIFIED AS THE OFFICIAL PLAT PURSUANT TO MINNESOTA STATUTES CHAPTER 160.085.



RIGHT OF WAY IN SECTION 29 & 32 T.112 N. R.13 W.					
PARCEL	OWNER	LOCATION	EXIST. HIGHWAY R/W area (more or less)	NEW HIGHWAY R/W area (more or less) exclud. exist. R/W	PERMANENT R/W INTEREST
1	William F. Laidlaw and Alice K. Laidlaw	SE/4 of SW/4 sec. 29	1.22	0.36	fee
2	Lavern E. Witt and Phyllis J. Witt	SE/4 of SW/4 sec. 29	1.34	0.76	fee
3	Lavern E. Witt and Phyllis J. Witt	SE/4 of SW/4 sec. 29	3.24	0.72	fee

I hereby certify that the highway location and right of way is correctly designated on this plat.
 Certified by *Gregory J. Paulsen* Registration No. 18484 Date 6/9/92
 County Engineer

I hereby certify that this plat was prepared by me or under my direct supervision and that I am a duly Licensed Land Surveyor under the laws of the State of Minnesota, that this plat meets the requirements of Minnesota Statutes Chapter 160.085, that all measurements are correctly shown on this plat, and that the proposed right of way boundary lines are correctly designated on this plat.
 Certified by *Jeffrey J. Gaus* License No. 13144 Date 6/9/92
 County Surveyor



CONVENTIONAL SYMBOLS

Section Line	_____
Quarter Line	_____
Sixteenth Line	_____
Property Line	_____
R/W Boundary	_____
Existing Road R/W	_____
R/W Parcel No.	_____
Other Road R/W	_____

Document No. 353233
 I hereby certify that this instrument was filed in the office of the County Recorder for record this 10th day of June 1992 at 1:20 o'clock P.M., and was duly recorded in the Goodhue County Records as file number 238
Craig A. Anderson
 Deputy
 Goodhue County Recorder

